

PRODUCT INFO

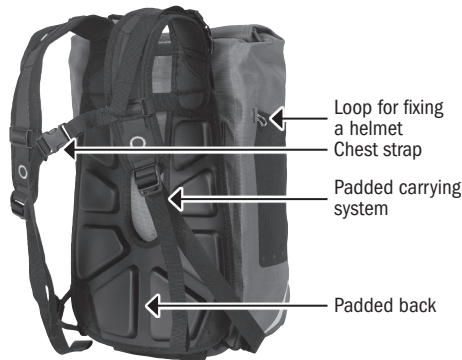
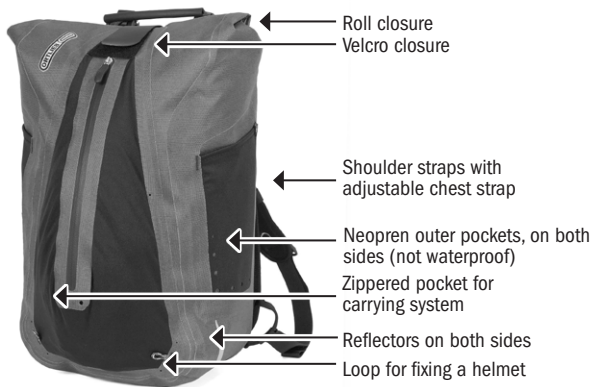


VARIO QL3.1

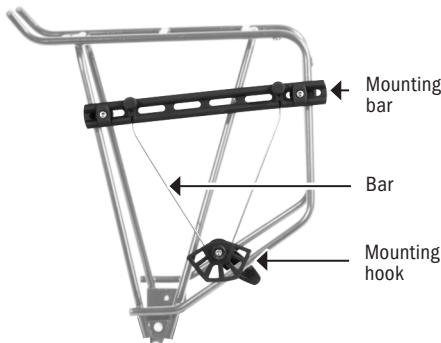
Backpack with QL3.1 rack mounting



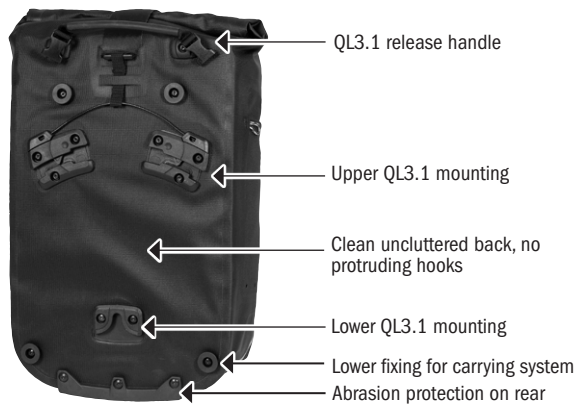
Test result Tipp Allrounder, for modell with QL3, German magazin RADtouren, 3/2015



Application: carrying system mounted



QL3/QL3.1 mounting components (incl.)



Application: pack for mounting to rack, carrying system demounted

height cm/in.	width cm/in.	depth cm/in.	vol. L/cu.in	weight g/oz.
50/19.7	28/11	20/7.9	23/1403	1370/48.3

SPECIFICATIONS:

- + Waterproof backpack with roll closure and Quick-Lock3.1 mounting system
- + Application as pannier and backpack
- + Tear and abrasion resistant nylon fabric
- + Padded carrying system with chest and waist strap can be stowed away in the zippered front pocket
- + Quick and simple fixing of carrying system to rear of bag
- + Clean uncluttered back of bag
- + Mounting compatible with racks up to 10 mm tube diameter (series version)
- + Mounting set for tube diameter up to 14 mm optionally available (art. code E175)
- + 2 lateral neoprene outer pockets (not waterproof)
- + Integrated fixing for bike helmet
- + Size fits DIN A4 documents and 15,4" notebooks
- + Inner pocket
- + 2 reflectors

Contents: Backpack comes with QL3.1 mounting system, helmet fixing

Optional accessories: Notebook Sleeve, mounting set for second bike (art. Nr. E175), QL3.1 mounting clamps 11-14 mm (art. code E175)

Note: In order to meet standard IP64 (6=dustproof, 4=protected against splash water coming from all directions) the roll closure must be rolled at least 3-4 times.