

PRODUCT INFO

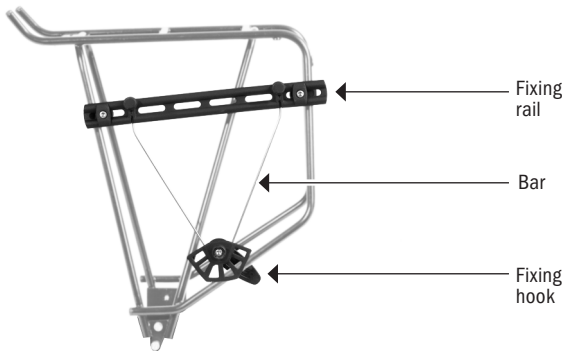


QUICK-LOCK3.1 SYSTEM

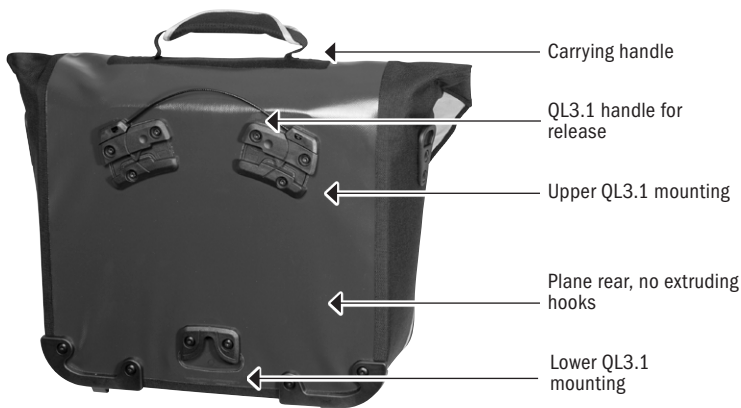
Mounting system for panniers, automatically closing

QL3.1 system

PVC free



Mounting example



Example: rear view of QL3.1 bag

Weight g/oz

112/4.0

SPECIFICATIONS:

- + Innovative mounting system for bike panniers especially for city and commuting panniers
- + Single handed use
- + Automatic locking and removing of bag by lifting the handle
- + Lower fixing point is inserted first, followed by lateral movement of top mountings from left to right or vice versa
- + Main components are fixed to the rack thus providing a clean reverse side comfortable to carry
- + Mounting rail can be fixed on left or right side, on vertical or horizontal rail of rack; compatible with rack tube diameters up to 10 mm
- + Adjustable height and angle for better legroom
- + Lower hook rotatable in 360° steps (24 steps each 15°) for individual adaption to rack
- + Compatible with QL1, QL2 and QL2.1 systems
- + Compatible with ORTLIEB Rack1 and Rack2 with integrated QL3/QL3.1 mounting (direct mounting without requiring mounting rail)
- + Top of rack remains free for baskets, boxes etc.

Optional accessory: QL3.1 mounting set for second bike, QL3.1 mounting clamps for rack diameters 11 to 14 mm