

QL1 - SYSTEM


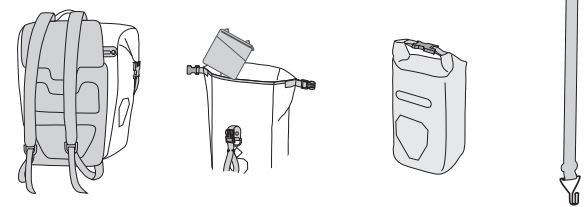

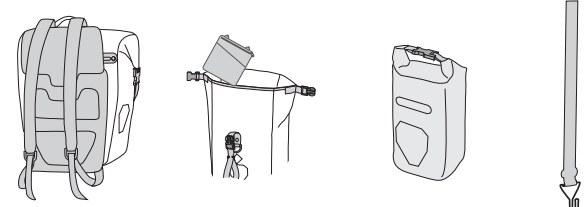


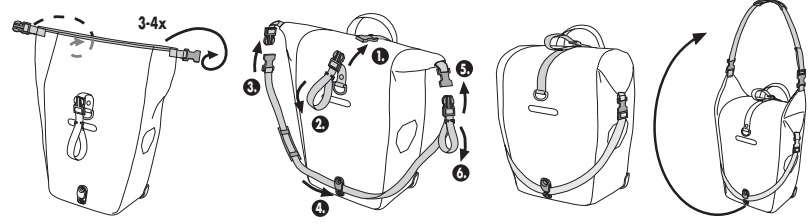
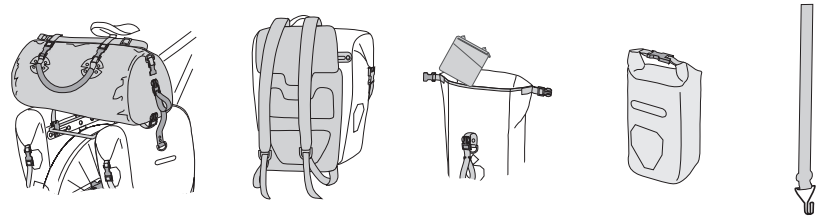


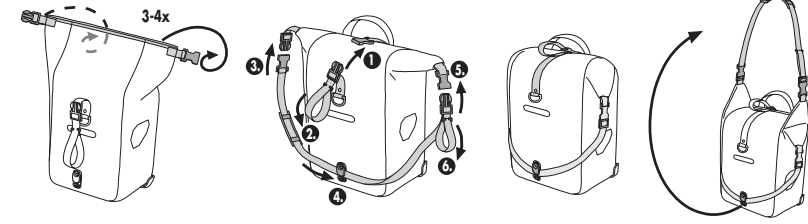
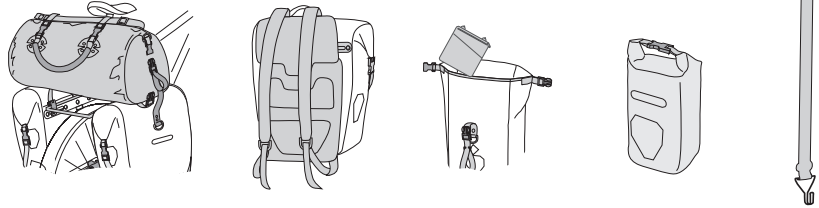
(D) MONTAGEANLEITUNG:
 (GB) ASSEMBLY INSTRUCTIONS:
 (F) INSTRUCTIONS DE MONTAGE:

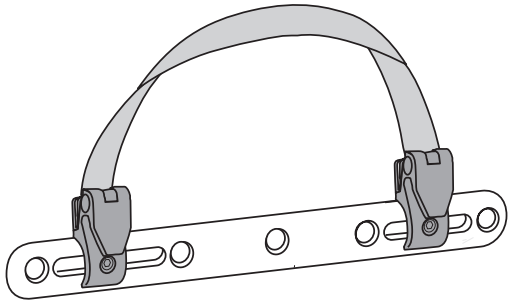
(I) ISTRUZIONI DI MONTAGGIO:
 (NL) MONTAGE HANDLEIDING:
 (DK) MONTERINGSVEJLEDNING:

(E) INSTRUCCIONES DE MONTAJE:
 (S) MONTERINGS ANVISNING:
 (N) MONTERINGS ANVISNING:

(SF) ASENNUSOHJEET:
 (PL) INSTRUKCJA MONTAZU:
 (J) 組立方法

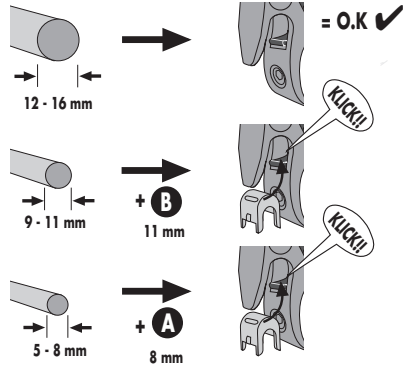


| QL1 - MODELS | | | ACCESSOIRES |
|---|---|--|---|
| Bike-Packer Classic  | incl. | | = + Art. #F33 In-Put = Art. #F39 = + Art. #F915 = + Art. Nr. E12  |
| Sport-Packer Classic  | | | = + Art. #F33 In-Put = Art. #F39 = + Art. #F915 = + Art. Nr. E12  |
| Back-Roller Classic  |  |  | = + Rack-Pack, Size M = + Art. #F33 In-Put = Art. #F39 = + Art. #F915 = + Art. Nr. E12  |
| Front-Roller Classic  |  |  | = + Rack-Pack, Size M = + Art. #F33 In-Put = Art. #F39 = + Art. #F915 = + Art. Nr. E12  |

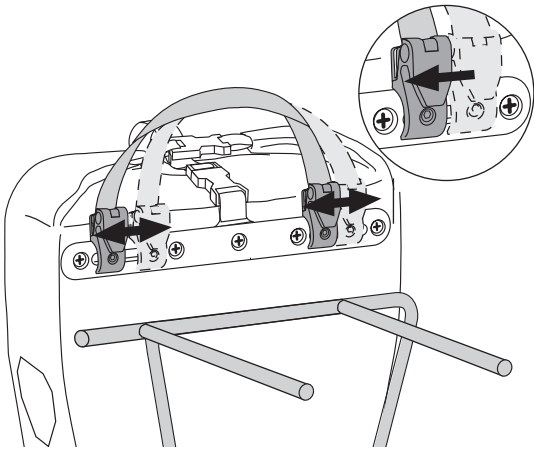


8 = **A** 8 mm
11 = **B** 11 mm

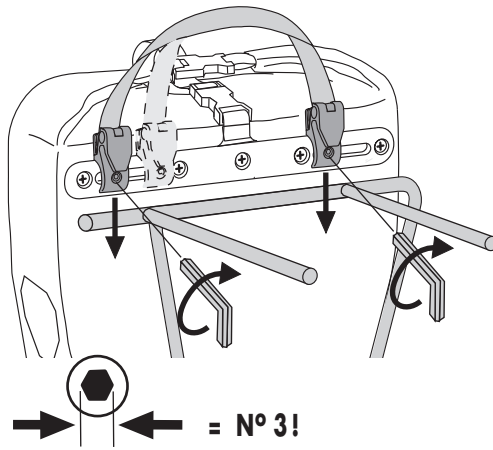
A



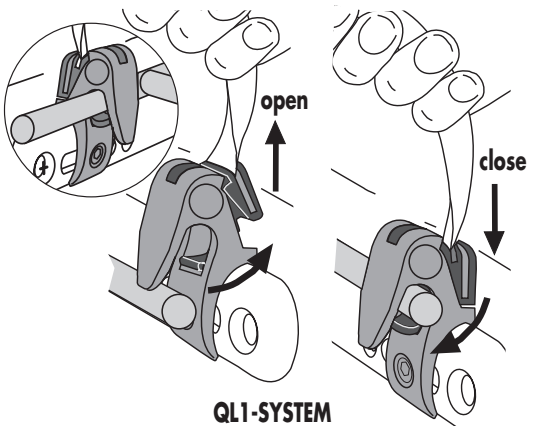
B



C

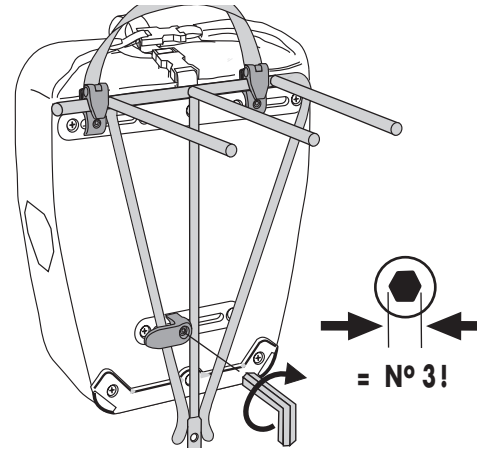


D

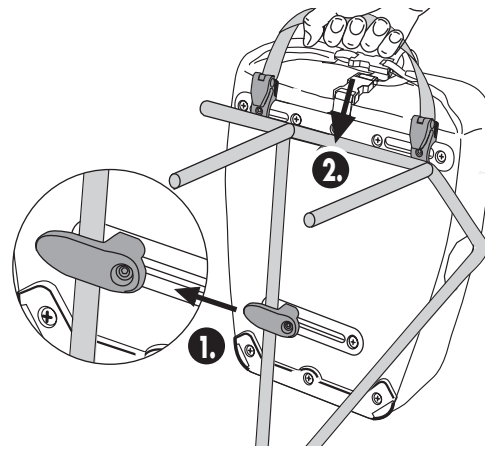


QL1-SYSTEM

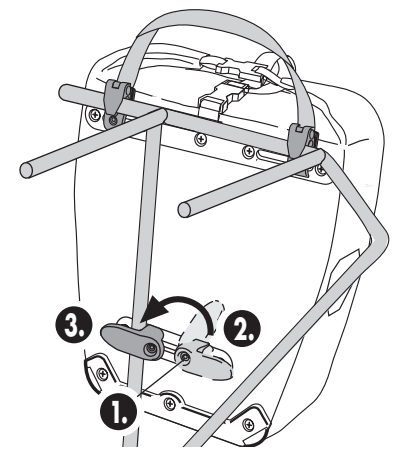
F



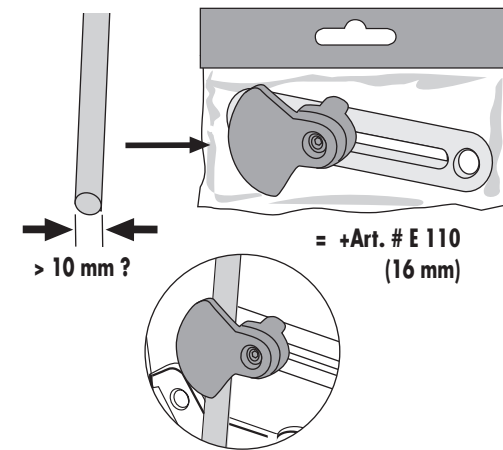
H



G



OPTION



-
- 1.) 100 Km (60 Miles)
 - 2.) 500 km (300 Miles)
 - 3.) 1000 km (600 Miles)
 - 4.) 1500 km (900 Miles)
 - etc.

